

截面:A-A

NOTE:

1.MATERIAL SPECIFICATION:

- 1-1.HOUSING: LCP,BLACK,UL94 V-0.
- 1-2.CONTACTS: C7025 T=0.15
- 1-3.MID PLATE: SUS304 T=0.15
- 1-4.SHELL: SUS304 T=0.30;

2.PLATING SPECIFICATION:

- 2-1.CONTACTS:
Ni 50u" MIN. UNDER PLATED OVER ALL.
Au1u" PLATED ON THE FUNCTIONAL AREA OF CONTACT.
PIN WELDING AREA GOLD FLASH.
- 2-2.SHELL:
Ni 50u" MIN. UNDER PLATED OVER ALL.
- 2-3.MID PLAT:
CLEANOUT

3.MECHANICAL PERFORMANCE,

- 3-1.INSERTION FORCE: 0.5~2.0kgf.
- 3-2.REMOVAL FORCE: 0.8kgf~2.0kgf.
- 3-3.DURABILITY: 10000 CYCLES.

4.ELECTRICAL PERFORMANCE,

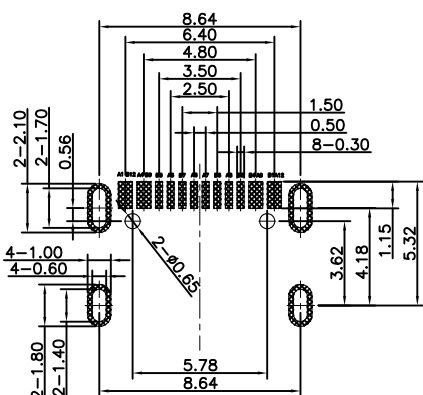
- 4-1. CURRENT RATING: 5.0A
- 4-2.INSULATION RESISTANCE: 100MΩ MIN.
- 4-3.DIELECTRIC WITHSTAND VOLTAGE,AC 100V FOR 1 MINUTE.
- 4-4.LOW CONTACT RESISTANCE: INITIAL 40mΩ AFTER 50mΩ

5. ENVIRONMENTAL PERFORMANCE:

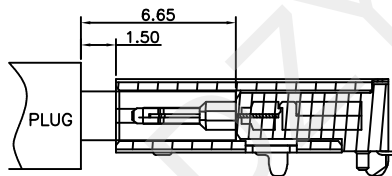
OPERATING TEMPERATURE: -55°C~+85°C.

6.IR REFLOW:

THE PEAK TEMPERATURE ON THE BOARD SHALL BE MAINTAINED FOR 10 SECONDS AT 260°C.



RECOMMENDED P.C.B LAYOUT
TOLERANCE UNSPECIFIED ±0.05mm



AFTER MATING

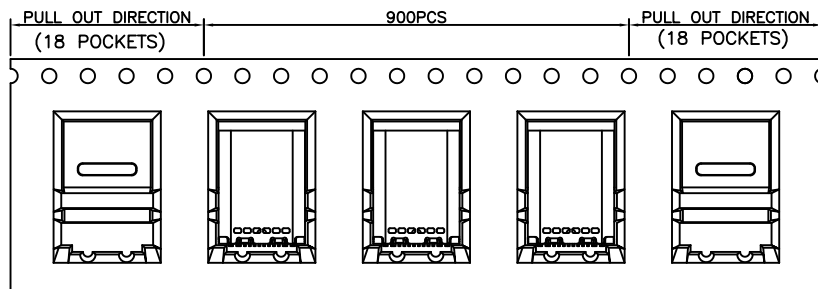
USB TYPE-C PIN ASSIGNMENTS

PIN NUMBER	SIGNAL NAME	PIN NUMBER	SIGNAL NAME
A1	GND	B12	GND
A4	VBUS	B9	VBUS
A5	CC1	B8	SBU2
A6	Dp1	B7	Dn2
A7	Dn1	B6	Dp2
A8	SBU1	B5	CC2
A9	VBUS	B4	VBUS
A12	GND	B1	GND

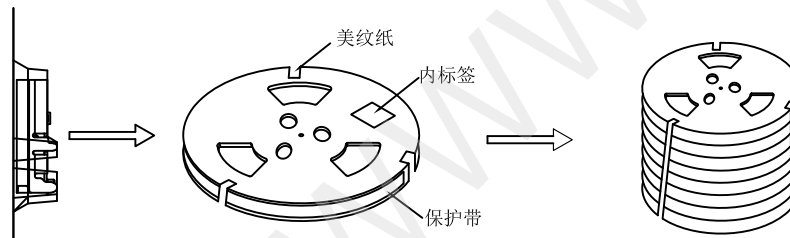


深圳市华宇创精密电子有限公司

TOLERANCE: X.X ±0.30 X.XX ±0.25 X.XXX ±0.15 X: ±2° X.X° ±0.5°	DRAWN BY : 陈一鸣	DATE : 2014-02-23	PART NAME: USB TYPE C 母座16P 板上单排 L=11.7mm
	CHECKED BY: 马跃	DATE : 2014-02-23	PART NO. : HVC556-USBC16-117
UNIT: mm [inch]	APPROVED BY: 邱敏	DATE : 2014-02-23	DRAW NO: HVC-2607061059
SCALE:1:1 SIZE: A4			SHEET NO. : 1 OF 1

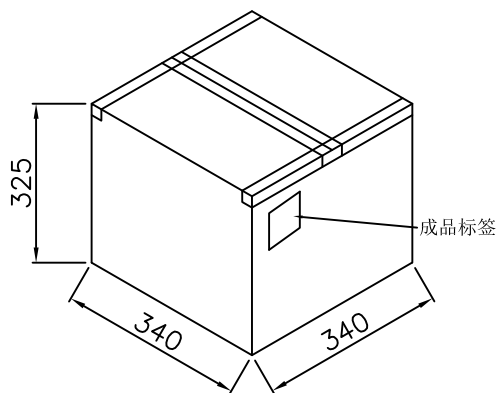


① 产品入载带示意图

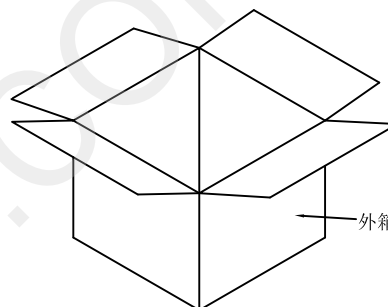


② 卷盘贴标签示意图

③ 11盘产品叠层示意图



⑤ 外箱封箱示意图



④ 产品入外箱示意图

	REEL	CARTON
CONNECTOR (PCS)	900	9900

包装说明:

1. 将检验好的成品;对插口朝前放入载带;每卷装900PCS产品;
2. 将包装好的产品;每盘必需贴上内标签;
3. 将贴好内标签的产品每11盘叠;
5. 装好后并封好纸箱及贴好相关标签;
(产品包装的标签,如客户有要求,请按客户要求包装出货)
6. 载带前面留18PCS空格,后面留18PCS空格
7. COVER与CARRY剥离力:50-125g,速度:300mm/分钟左右,
剥离角度:165°-180°



深圳市华宇创精密电子有限公司

TOLERANCE: X.X ±0.30 X.XX ±0.25 X.XXX ±0.15 X' ±2' X.X' ±0.5'	DRAWN BY : 陈一鸣	DATE : 2014-02-23	PART NAME: 包装图	
	CHECKED BY: 马跃	DATE : 2014-02-23	PART NO.	
UNIT: mm [inch] SCALE:1:1 SIZE: A4	APPROVED BY: 邱敏	DATE : 2014-02-23	MOLD NO.	
			DRAW NO:	
			SHEET NO.	1 OF 1